

MODELS PT-37 and PT-53

SPECIFICATIONS

Models PT-37 and PT-53 are five tube superheterodyne radios covering a tuning frequency range from 540 to 1720 kilocycles (K. C.) on the broadcast band and 5.5 to 19 megacycles (M. C.) on the short wave band. These models are similar with the exception of the cabinet. The circuit diagram and part list shown below applies to both models.

INTERMEDIATE FREQUENCY: 470 K. C.

POWER SUPPLY: Operates on either a 115 volt alternating current (A. C.) or 115 volt direct current (D. C.) power supply.

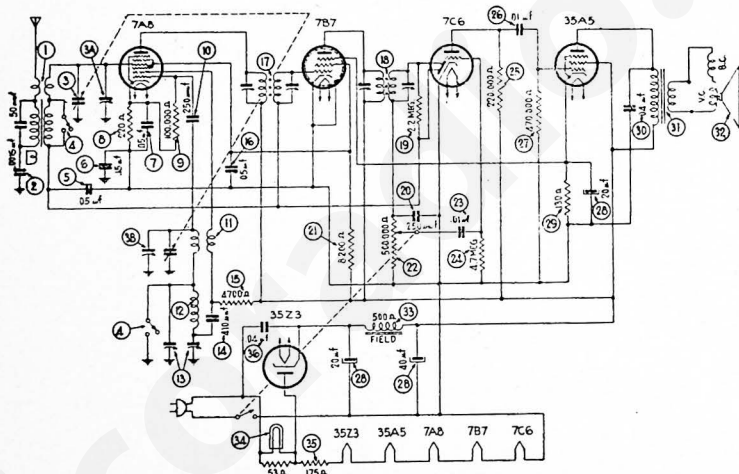
Note—If no sound is heard on D. C. circuits, after the tubes are sufficiently heated, reverse the plug of the cable in the

outlet. If a slight hum is heard when operating on an A. C. power supply, the power plug should also be reversed.

PHILCO TUBES USED: One 7A5, converter; one 7B7, I. F. amplifier; one 7C6, 2nd detector, 1st audio, A. V. C.; one 35A5, audio output and one 35Z3, rectifier.

AERIAL: A twenty foot indoor aerial wire is attached to the radio for average receiving conditions. To obtain best reception in apartment houses, hotels, or steel reinforced buildings where signal strength is weak, a Philco Utility Aerial, Part No. 40-6384, is recommended.

ALIGNING PROCEDURE: The instructions for adjusting the R. F. and I. F. compensators will be found on page 7.



REPLACEMENT PARTS

SCHE. No.	DESCRIPTION	PART No.	SCHE. No.	DESCRIPTION	PART No.	SCHE. No.	DESCRIPTION	PART No.
1	Antenna Transformer	32-3233	22	Volume Control	33-5306	35	Line Resistor	33-3387
2	Tubular Condenser (.0015 mf., 200 v.)	30-4558S	23	Tubular Condenser (.01 mf., 400 v.)	30-45729	36	Tubular Condenser (.04 mf., 400 v.)	30-41199
3	Tuning Condenser	31-2431	24	Resistor (4.7 megohm, 1/4 watt)	33-547154			
4	Wave Switch	42-1497	25	Resistor (220,000 ohms, 1/4 watt)	33-522154			
5	Tubular Condenser (.05 mf., 200 v.)	30-45199	26	Tubular Condenser (.01 mf., 200 v.)	30-45818			
6	Tubular Condenser (.15 mf., 400 v.)	30-46003	27	Resistor (470,000 ohms, 1/4 watt)	33-447154			
7	Tubular Condenser (.05 mf., 200 v.)	30-45198	28	Electrolytic Condenser	30-2402			
8	Resistor (220 ohms, 1/4 watt)	33-122336	29	Resistor (130 ohms, 1/4 watt)	33-113336			
9	Resistor (100,000 ohms, 1/4 watt)	33-410154	30	Tubular Condenser (.04 mf., 400 v.)	30-41198			
10	Mica Condenser (250 mmf.)	61-0033	31	Output Transformer, Part of				
11	Short Wave Oscillator Trans.	32-3234		Speaker No. 36-1469-1	32-8047			
12	BC Oscillator Transformer	32-3217		Speaker No. 36-1469-2	32-8044			
13	Dual Padding Condenser	31-6331	32	Speaker Cone Assembly	36-1469			
14	Mica Condenser (410 mmf.)	30-1080		(for Speaker 36-1469-1)	36-4115			
15	Resistor (4700 ohms, 1/4 watt)	33-247134		(for Speaker 36-1469-2)	36-4113			
16	Tubular Condenser (.05 mf., 200 v.)	30-45198		(for Speaker 36-1469-2)	36-4132			
17	1st I. F. Transformer	32-3327	33	Field Coil—Part of Speaker No.	36-1469			
18	2nd I. F. Transformer	32-3150	34	Pilot Lamp	34-2068			
19	Resistor (2.2 megohms, 1/4 watt)	33-522154						
20	Mica Condenser (250 mmf.)	61-0033						
21	Resistor (8,200 ohms, 1/4 watt)	33-282334						

MISCELLANEOUS PARTS

Cable (Power)	L-3199
Clip Coil Mounting	28-5002
Cabinet (PT-37)	1036-4
Cabinet (PT-53)	1044-8A
Dial (PT-37)	27-5559
Dial Window	27-5472
Dial Drive Cord	31-2393
Drive Drum	28-6662
Drive Shaft Assembly	31-2355
Grille Cloth and Gasket	40-6526
Knob Tuning, Volume	27-4809
Pointer	38-9825
Socket Assembly (Pilot Lamp)	36-1469
Speaker	36-1469
Spring	28-8751
Snap Fastener	56-1387